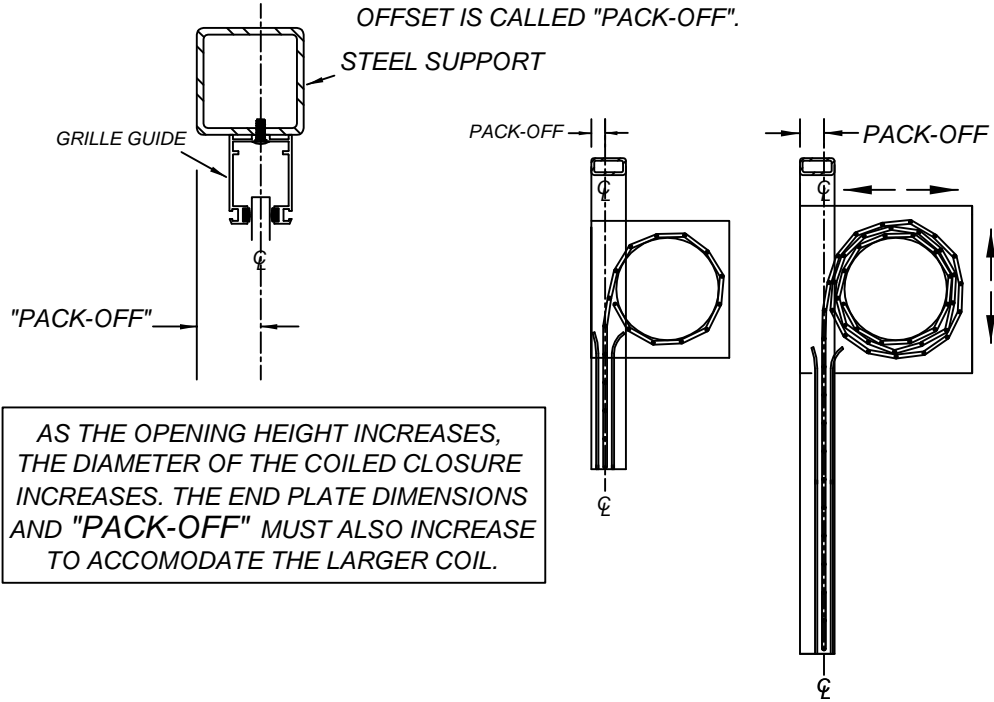


DYNAFLAIR

ROLLING CLOSURE END PLATE / PACK OFF

NOTE: THE GUIDES DO NOT TYPICALLY CENTER ON THE SUPPORT MEMBERS. THE OFFSET IS CALLED "PACK-OFF".



AS THE OPENING HEIGHT INCREASES, THE DIAMETER OF THE COILED CLOSURE INCREASES. THE END PLATE DIMENSIONS AND "PACK-OFF" MUST ALSO INCREASE TO ACCOMODATE THE LARGER COIL.

TABLE OF END PLATE & PACK-OFF DIMENSIONS

ALL ROLLING CLOSURE ENDPLATE / PACK OFF DETAILS		
CEILING HEIGHT	A PACK-OFF	B END PLATE
...UP TO 10'-0"	2"	14"
10'-0" TO 13'-0"	2-1/4"	16"
13'-0" TO 16'-0"	2-1/2"	18"

GRILLES USING 4"X4" TUBES MUST USE AT LEAST A 16" X 18" END PLATE REGARDLESS OF CEILING HEIGHT.

