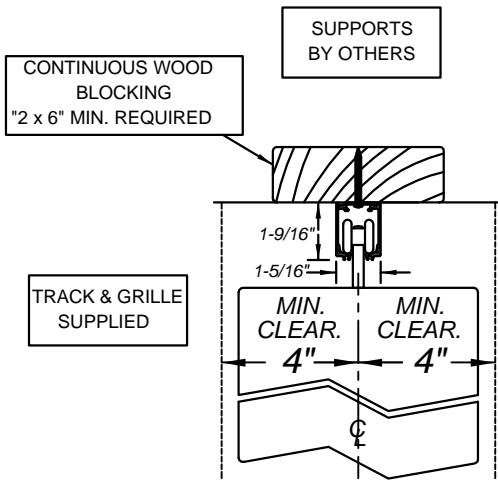
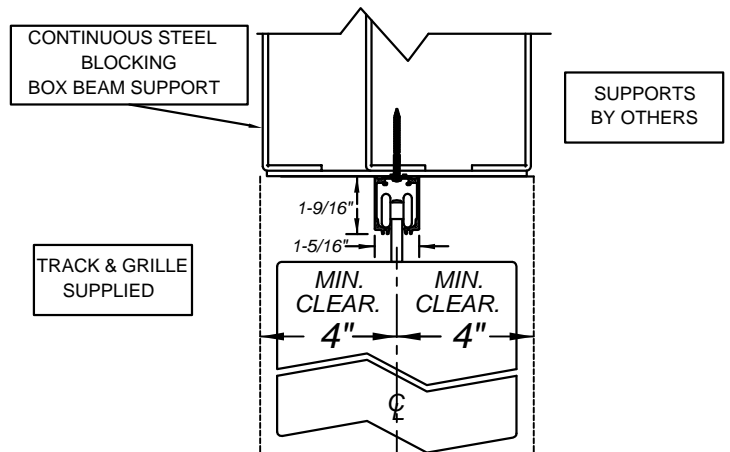


# SLIDING GRILLE- TYPICAL SUPPORT DETAILS

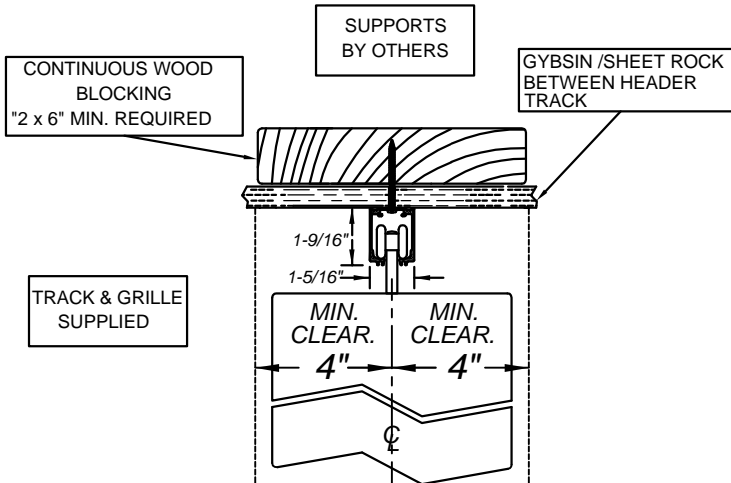
## WOOD HEADER SUPPORT #1



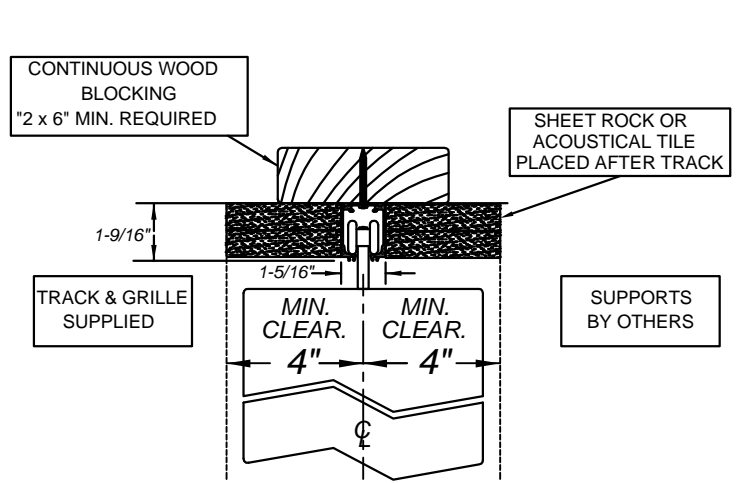
## STEEL HEADER SUPPORT #2



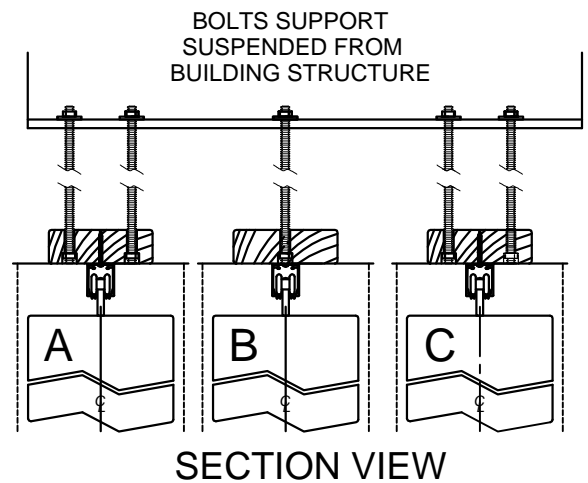
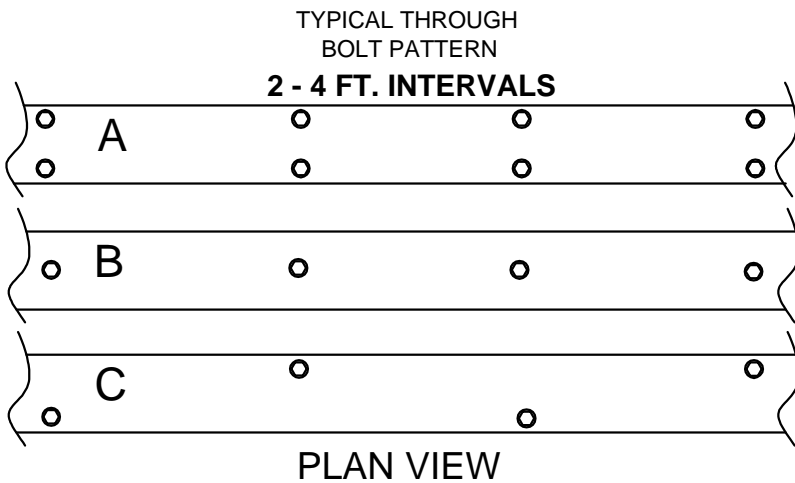
## WOOD HEADER SUPPORT #3



## WOOD HEADER SUPPORT #4



## TYPICAL CUSTOMER HEADER SUPPORT



NOTE: HEADER WOOD OR STEEL SHALL BE DESIGNED TO SUPPORT THE STACKED LOAD OF THE GRILLE ANYWHERE ALONG THE TRACK INCLUDING THE POCKETS. ALL SUPPORTS ARE NOT ENGINEERED OR DESIGN BY DYNAFLAIR THE ABOVE DETAILS ARE SUGESTED METHODS OF ATTACHMENT AND ARE REFERENCE ONLY.