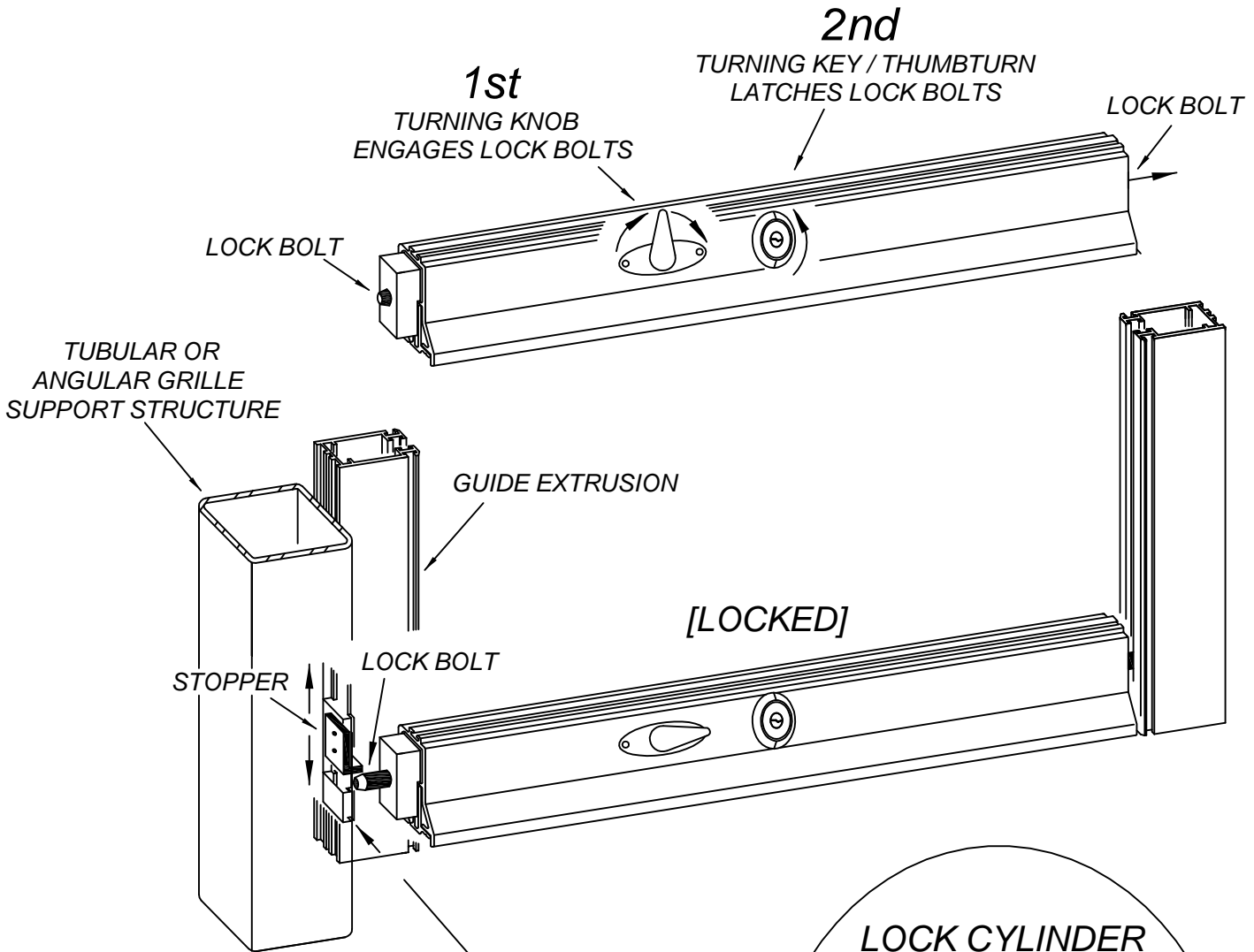


DYNAFLAIR

ROLLING CLOSURE BOTTOM LOCK BAR



POSITION OF ADJUSTABLE STOPPER IS SET DURING INSTALLATION TO RECEIVE 7/16" DIA. STEEL LOCK BOLT

LOCK CYLINDER REQUIREMENT

STANDARD 5, 6 OR 7 PIN MORTISE CYLINDER



STANDARD OR "ADAMSRITE" TYPE CAM