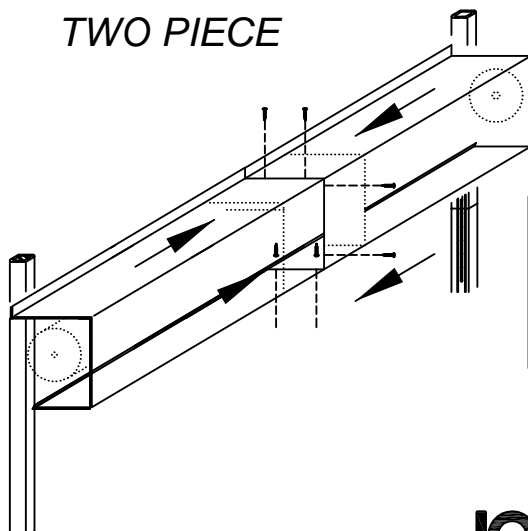
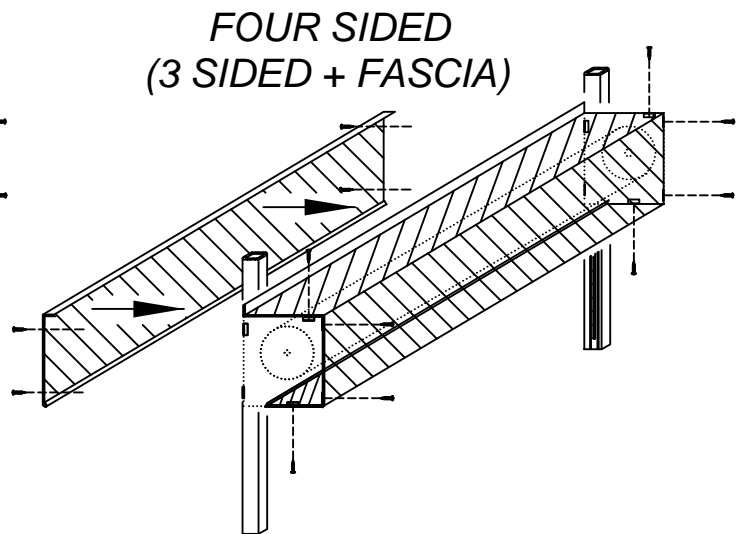
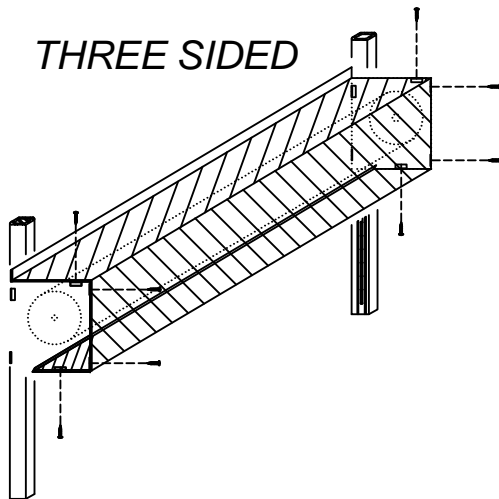
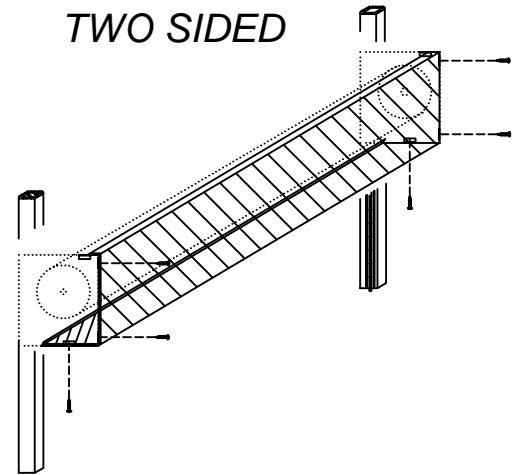
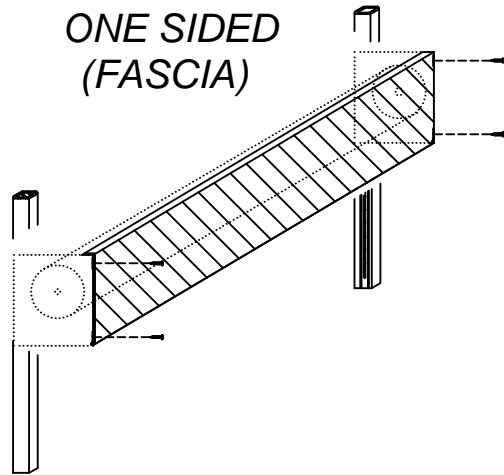


## ROLLING CLOSURE HOOD / FASCIA DETAILS



THE MAXIMUM SINGLE PIECE HOOD WIDTH IS 10 FEET. WIDER HOODS ARE MADE WITH OVERLAPPING, TELESCOPING PIECES. VERY WIDE HOODS REQUIRE CUSTOM, EXTERNAL FRAMES TO SUPPORT THE MIDPOINT JOINTS.