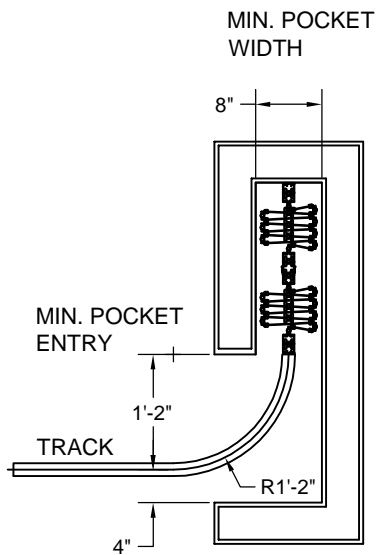
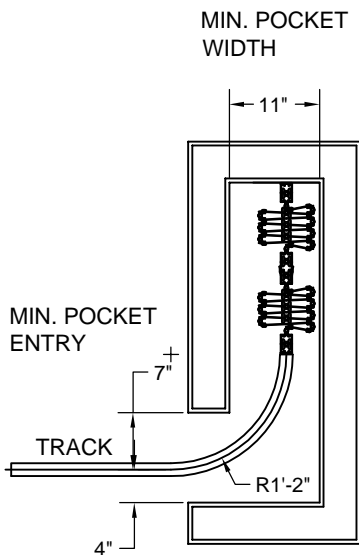


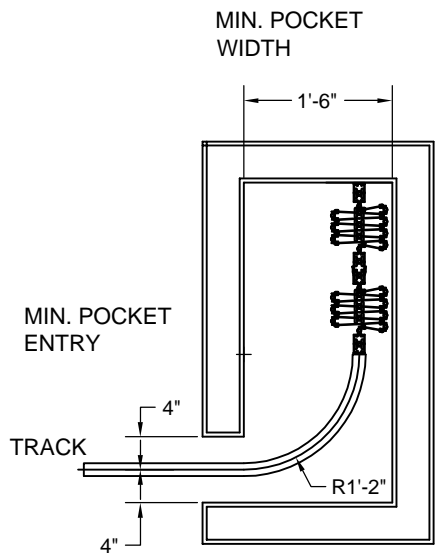
SLIDING GRILLE POCKET REQUIREMENTS



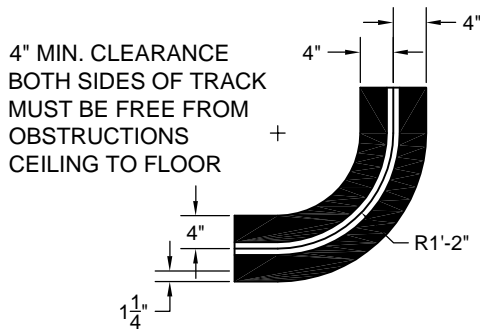
14"R X 90° SMALL
POCKET LARGE ENTRY



14"R X 90° MEDIUM
POCKET MEDIUM ENTRY



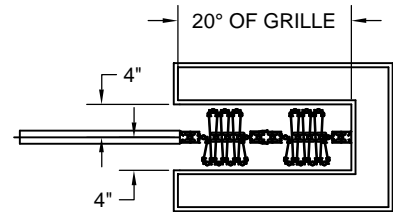
14"R X 90° LARGE
POCKET SMALL ENTRY



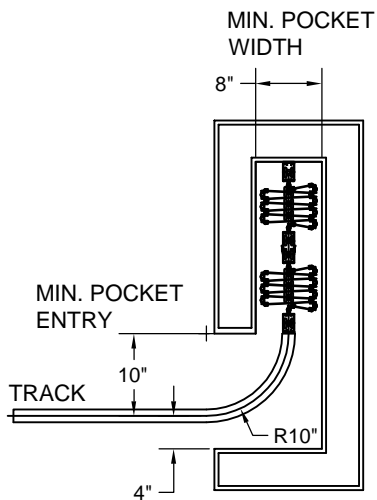
NOTES:

HEADER MUST SUPPORT
CONCENTRATED WEIGHT
OF STACKED GRILLE.

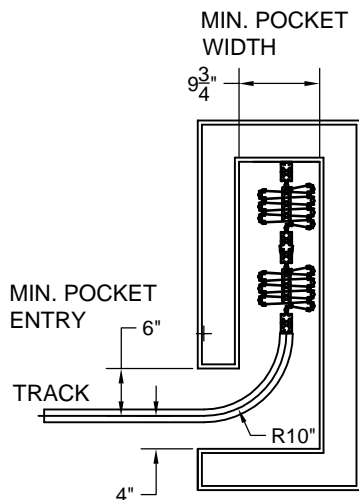
IF A POCKET DOOR IS
USED, THE DOOR MUST NOT
OBSTRUCT THE ENTRY
DIMENSION GIVEN.



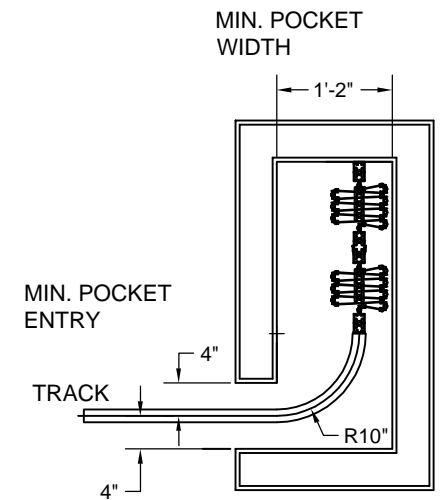
STRAIGHT POCKET



10"R X 90° SMALL
POCKET LARGE ENTRY



10" X 90° MEDIUM
POCKET MEDIUM ENTRY



10"R X 90° LARGE
POCKET SMALL ENTRY