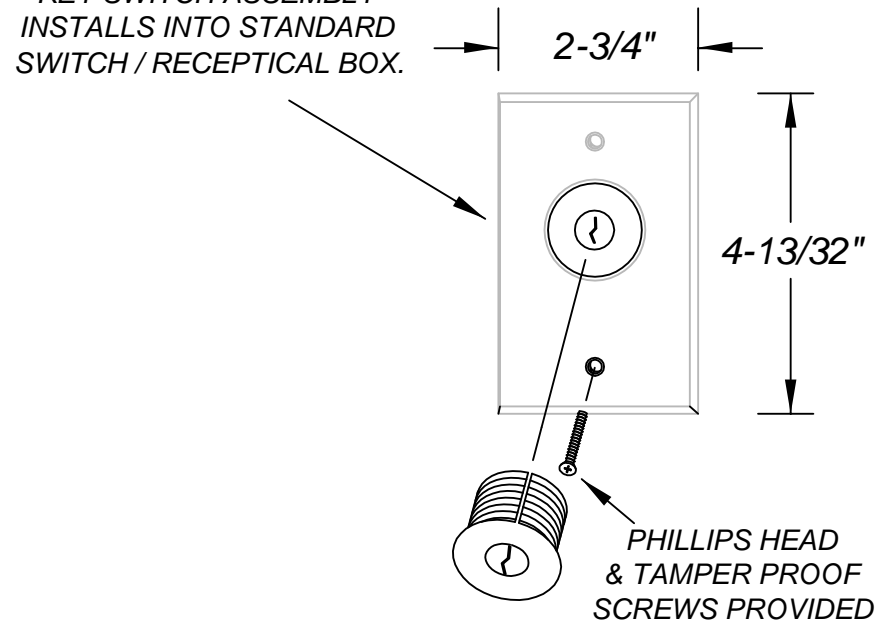




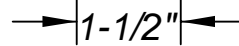
# ROLLING CLOSURE KEY SWITCH (FOR ELECTRIC OPERATORS)

**PLEASE NOTE!  
WIRES & WIRING BY OTHERS**

KEY SWITCH ASSEMBLY  
INSTALLS INTO STANDARD  
SWITCH / RECEPTICAL BOX.

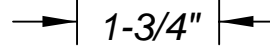


CLEAR MIN.



(BACK VIEW)

CLEAR MIN.

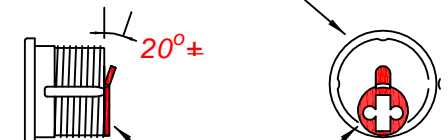


(SIDE VIEW)

SPST MOMENTARY  
(NORMALLY OPEN) SWITCHES  
6 AMPS @ 120 VAC

## LOCK CYLINDER REQUIREMENT

STANDARD 5, 6 OR 7 PIN  
MORTISE CYLINDER



STANDARD OR  
"ADAMSRITE" TYPE  
CAM ANGLED APROX.  
20° (AS SHOWN)